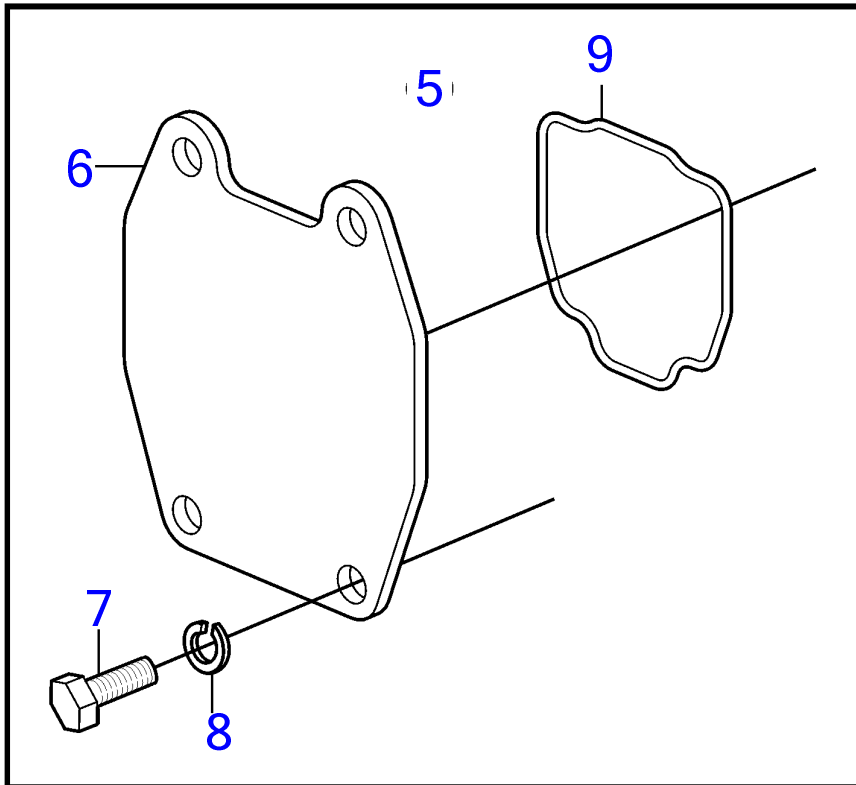
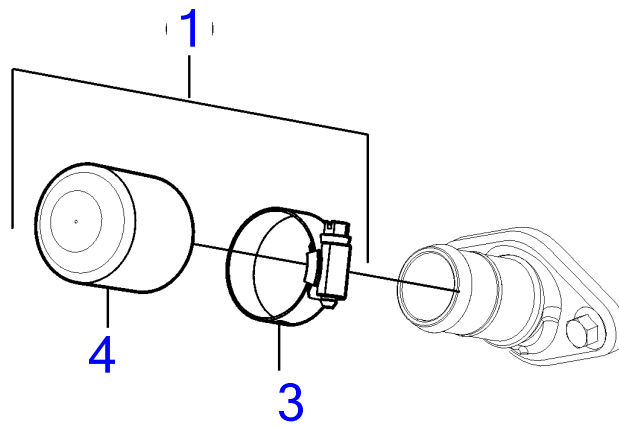
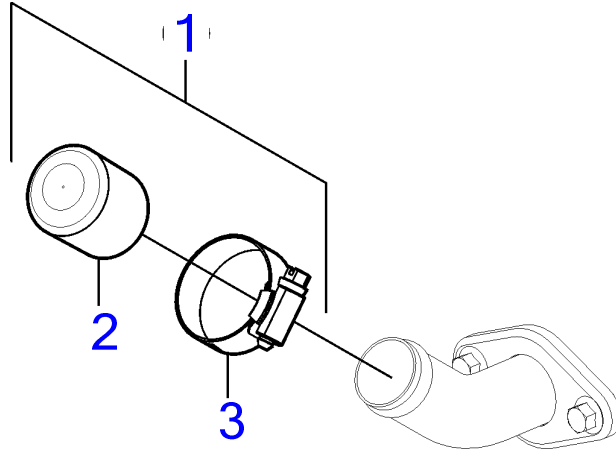


SX-M, SX-MLT, SX-MDA, SX-MDB, SX-MHP, SX-MACLT, SX-MDC, SX-MBAC



19749

SX-M, SX-MLT, SX-MDA, SX-MDB, SX-MHP, SX-MACLT, SX-MDC, SX-MBAC

REF	PART NO.	QTY	DESCRIPTION	SEE SEC.	NOTES
1	3862566	1	Kit		Water block-off
2	3852476	1	• Cardboard tube		Earlier production
3	3863444	2	• Hose clamp		
4	3812305	1	• Plastic plug		Later production
5	3850889	1	Kit		Exhaust block-off
6		1	• Flange		not sold separately
7	3855227	4	• Hexagon screw		
8	3852002	4	• Spring washer		
9	3587651	1	Kit		
			• Bulletin P-25-2-2	P-25-2-2-EN	Y-pipe seal, gas engines